

**boyd**  
**presentation**

be better at work

## Era Whiteboard Installation Instructions

**era**  
whiteboard

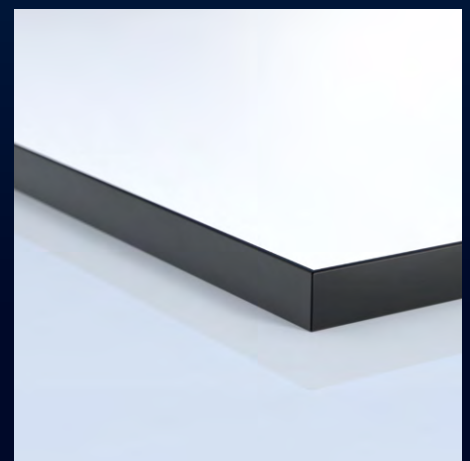
boyd presentation

An inspirational blend of form, function and innovation, Era is the whiteboard redefined for today's workspaces.

Era changes the game with a frameless, flip-ready design that delivers premium style, intelligent engineering, and everyday practicality. Perfect for spaces where presentation matters and performance is non-negotiable.

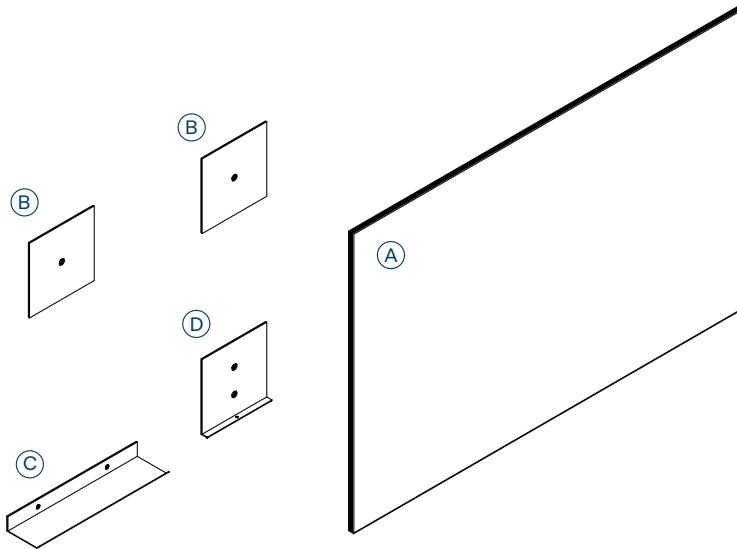
Innovative magnetic wall fixings allow the board to lift effortlessly from the wall, blending functionality with a sleek, modern design.

The whiteboard:  
reimagined



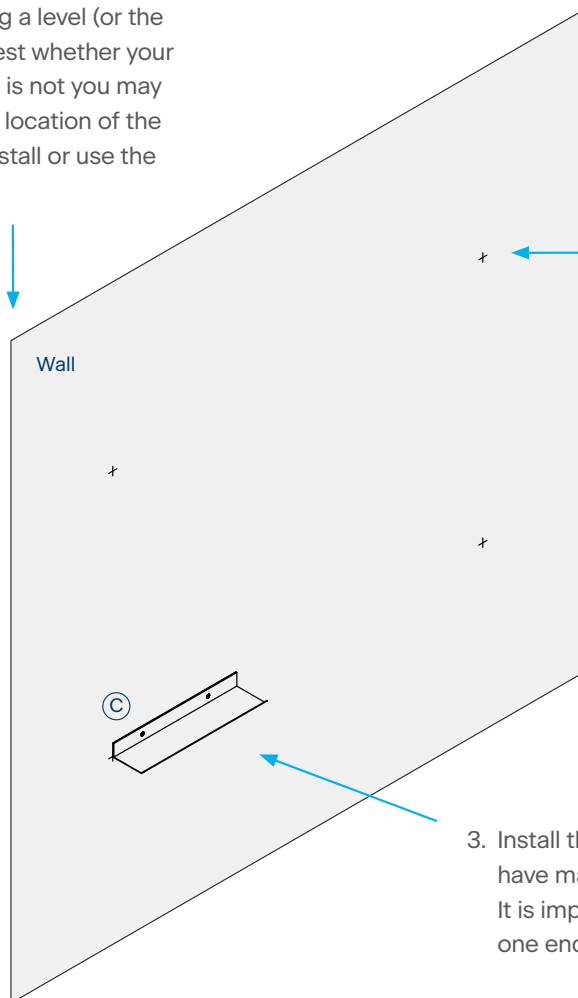


## Components



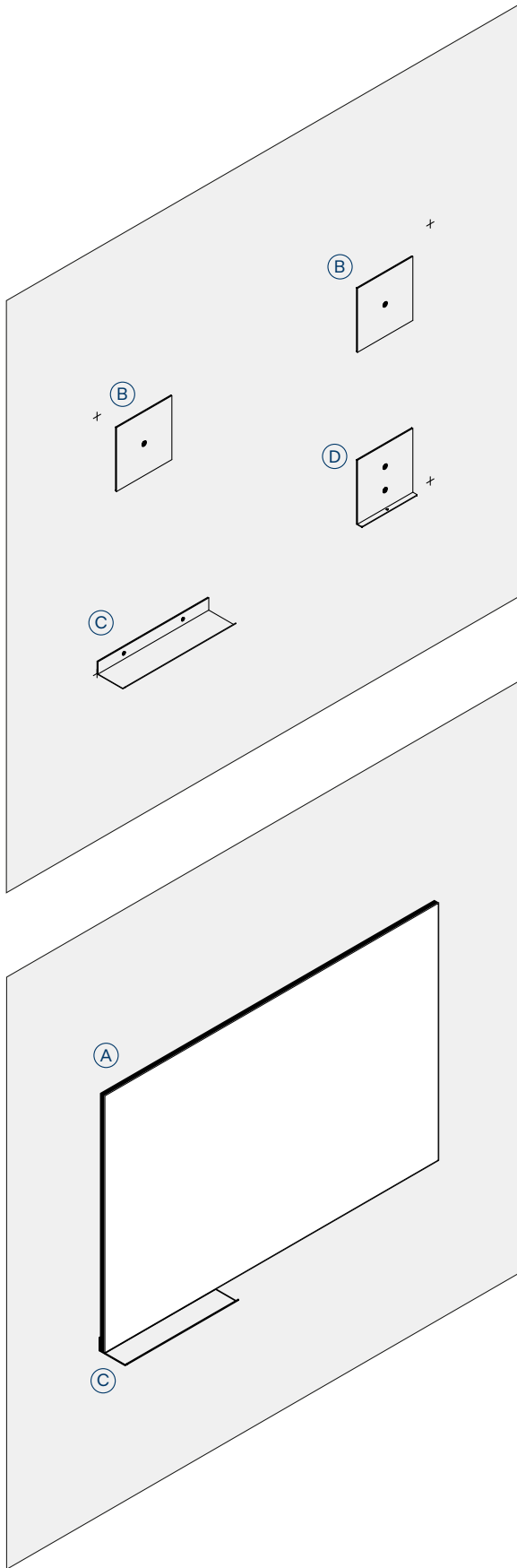
Part	Qty
Ⓐ Era Whiteboard	1
Ⓑ Magnetic Brackets (Low Profile)	2
Ⓒ Magnetic Brackets /w Integrated Pen Shelf	1
Ⓓ Magnetic L-Bracket	1
5mm Packer	2
2mm Packer	2
J-Hook	1
J-Hook Packer (Optional)	1
Plaster Screws + Wall Plugs	8

1. Before install, using a level (or the Era Whiteboard) test whether your wall is straight. If it is not you may need to adjust the location of the magnets as you install or use the provided packer.



2. Mark the location of your Era Whiteboard on the wall, including the bottom edge and the four corners.

3. Install the Pen Shelf Ⓒ on the wall at the bottom edge you have marked - at either the left or right end of the board. It is important to ensure the pen shelf is installed level as one end of the Era Whiteboard will sit on the Pen Shelf.



4. Install the L-shaped magnet (D) on the wall on the other end of the whiteboard. This magnet must also be level and level with the pen shelf.
5. Install the remaining two magnets (B) on the wall at the top corners of the whiteboard. These should be close to the corners for the best results but can be located anywhere.
6. The screws should be firmly in place but allowing small movement in the magnet will help ensure good attachment to the whiteboard surface.
7. Place your Era Whiteboard on the wall. If your wall is straight, the magnets will click into place on the whiteboard. You are now ready to go and installation is complete.

\*Remove the protective film before use.\*

## Additional Information

If one or both of the magnets do not connect you will need to use the provided packers to ensure the magnets sit flush with the whiteboard. Remove the installed magnet(s) and place either the 2 or 5mm packer (depending on the size of the gap) behind the magnet and reinstall the whiteboard.

Test the Whiteboard is held on the magnets and sits on top of the Pen Shelf and L-shaped magnet.

Ensure screws are installed straight and do not sit beyond the face of the magnet once screwed in. This is to ensure they have a strong hold and do not scratch the whiteboard surface.

The Era Whiteboard is designed to be held in place by the large magnets. Should you want to mechanically fix your board to the wall a J hook has been provided that will prevent the board from moving or being removed.

To install the J hook mark the top middle of the whiteboard. Then mark 20mm below this point and screw the J hook into the wall. Ensure the J hook is pushed up so the screw is at the bottom of the channel. Place the whiteboard back on the wall underneath the J hook. Then carefully tap the J hook down until the front lip sits over the face of the whiteboard and holds it in place. You may need to use the provided small packer behind the J hook.